

**Three  
Wheel**

**2,000-4,000 lbs**

**G Series**

**AC Electric Forklift**



**3** SERIES

**HELI**  
LIFTING THE FUTURE

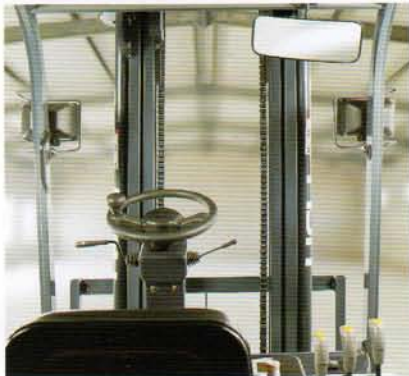
Top 10 Forklift  
Manufacturer In The World



## G Series AC Electric Forklift

**THREE  
WHEEL** **2,000-4,000 lbs**

### High Visibility Mast Design



Wide view mast design enhances operator visibility increasing productivity and minimizing the potential for product damage.

- Full face mast channel roller bearings
- 4 Carriage rollers with 4 adjustable side thrust rollers

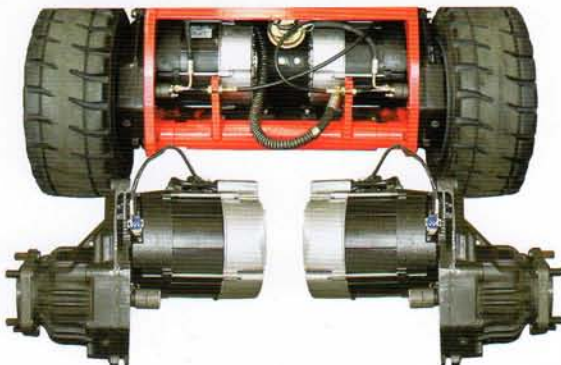
### Steering System



The steering system includes the latest technology providing excellent operation control, optimal load positioning and noise reduction.

- Integrated load-sensing steering
- Dual steer tires
- Hydraulic Power steering
- Automatic travel speed reduction device limits speed while turning

### Dual AC Drive Motors



The powerful dual AC drive motors provide enhanced performance acceleration and gradeability.

- Rugged ZF drive units
- Brushless high torque heavy duty AC drive motors
- Oil-cooled disc brakes
- Independently controlled motors



## High Efficiency Hydraulic System

The innovative design of the hydraulic system improves the efficiency of loading and unloading.

- Low-speed high-torque hydraulic pump motor
- MOSFET hydraulic controller
- Low-noise gear pump with differential tooth technology
- Dynamic load sensing technology standard



## Ergonomically Designed Operator Compartment

- Seat side hydraulic controls
- Multi-function instrument display
- BDI with lift interrupt
- Operator presence system
- Tilt steering column



## Intelligent Performance

- Choice of ZAPI or CURTIS controllers
- AC traction controller
- Emergency power shut-down
- Self protecting controller
- Standard CAN BUS design
- Anti-roll back and anti-roll down with adjustable ramp stop time
- Adjustable travel speed select function



ZAPI CONTROLLER



CURTIS CONTROLLER



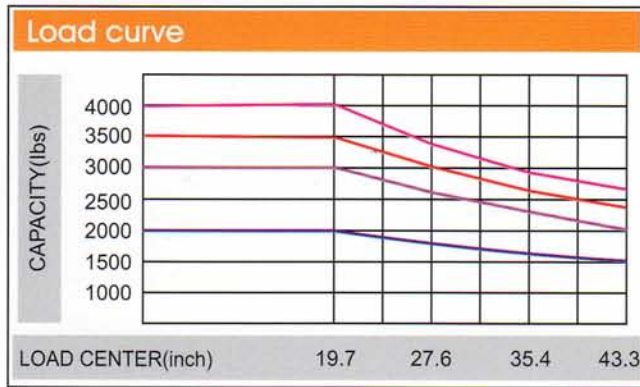
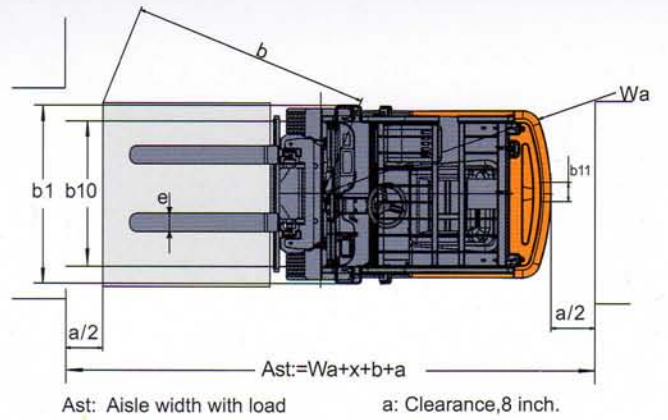
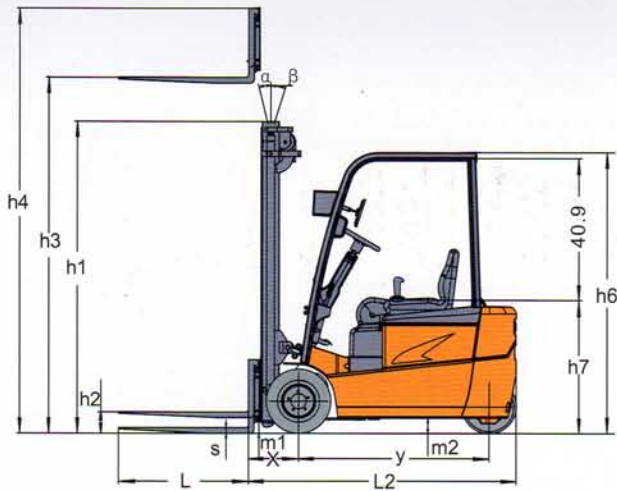
**G Series  
AC Electric Forklift**

**THREE  
WHEEL 2,000-4,000 lbs**

**Manufacturers specifications**

Characteristic				
1.01	Model		CPD10S	
1.02	Configuration Number		CQ1/CQ2	FQ1/FQ2
1.03	Load Capacity@24 " Load Center	Q (lbs)	2000	
1.04	Load Center	c (inch)	24	
1.05	Power Type		Battery	
1.06	Wheelbase	y (inch)	49.2	
Wheels & Tires				
2.01	Tire Type		Solid Pneumatic	
2.02	Tire Number (Front/Rear)		2/2	
2.03	Tread width (center of tires),front	b10 (inch)	36.5	
2.04	Tread width (center of tires),rear	b11 (inch)	6.4	
2.05	Tire Size, Front		18×7-8	
2.06	Tire Size, Rear		15×4.5-8	
Dimensions				
3.01	Load Distance	x (inch)	12.5	
3.02	Mast Tilt Angle,F/R	$\alpha / \beta$ (°)	5/7	
3.03	Height with Mast Lowered	h1(inch)	87.4	
3.04	Free Lift	h2(inch)	4.8	
3.05	Standard Lift Height	h3(inch)	129.9	
3.06	Height with Mast Extended	h4(inch)	170.5	
3.07	Overhead Guard Height	h6(inch)	81.9	78
3.08	Seat Height	h7(inch)	39.4	35.8
3.09	Fork Size	s/e/L(inch)	1.3×3.9×30.3	
3.10	Length to fork face	L2(inch)	70	70.2
3.11	Overall Width	b1(inch)	42.1	
3.12	Outside Turning Radius	Wa(inch)	56.9	
3.13	Ground Clearance at mast, Loaded	m1(inch)	3.5	
3.14	Ground Clearance at center of wheelbase, Loaded	m2(inch)	3.9	
3.15	Right Angle Stack Aisle width (42 " w×48 " l Pallet, clearance:7.9 " )	Ast(inch)	121.1	
3.16	Right Angle Stack Aisle width (48 " w×48 " l Pallet, clearance:7.9 " )	Ast(inch)	129.9	
Performances				
4.01	Travel Speed,with/without load	mph	8.9/9.6	9.0/9.7
4.02	Lifting Speed,with/without load	fpm	59/86.6	
4.03	Lowering Speed	fpm	88.6	
4.04	Gradeability performance with load	%	27	
4.05	Max. Draw Bar Pull with Load	lbs	2595	
Weight				
5.01	Total Approximate Weight (w/o battery)	lbs	6387.7/4759.9	6211.5/4978
5.02	Axle : Unloaded,Front/Rear	lbs	3268.7/3118.9	3110.1/3101.3
5.03	Axle : Loaded,Front/Rear	lbs	6989/1601.3	6834.8/1601.3
Battery				
6.01	Battery Voltage/rated capacity(5h)	V/Ah	48/420	48/330
6.02	Battery Weight	lbs	1627.8(1541.9-1718.1)	1233.5(1171.8-1295.2)
Motor & Controller				
7.01	Drive Motor - 60 Min. Rating	kW	2×4.5	
7.02	Pump Motor - 15 Min. Rating	kW	7.5	
7.03	Drive Motor Control Method		Mosfet/AC	
7.04	Pump Motor Control Method		Mosfet/DC	
7.05	Service Brake/Parking Brake		Hydraulic/Mechanical	

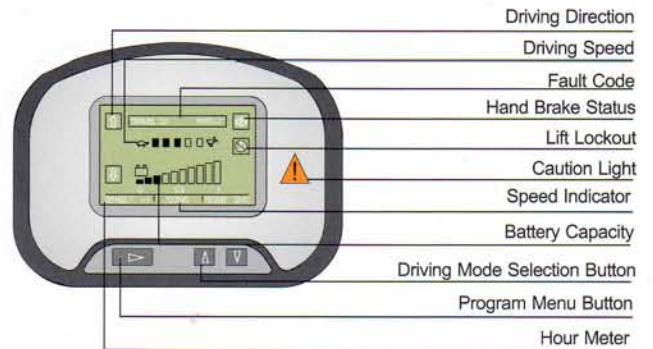
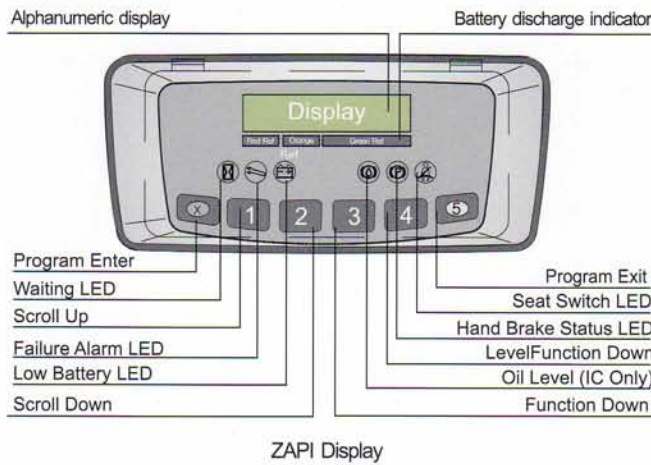
CPD15S		CPD18S		CPD20S
CQ1/CQ2	FQ1/FQ2	CQ1/CQ2	FQ1/FQ2	CQ1/CQ2
3000		3500		4000
24		24		24
Battery		Battery		Battery
49.2	53.1	57.3	53.1	57.3
Solid Pneumatic		Solid Pneumatic		Solid Pneumatic
2/2		2/2	2/2	2/2
36.5		36.5		36.5
6.4		7.5	6.4	7.5
18×7-8		200/50-10		200/50-10
15×4.5-8		16×6-8	15×4.5-8	16×6-8
12.6		12.6		13
5/7		5/7		5/7
87.4		87.4		87.4
4.9		4.9		5.3
129.9		129.9		129.9
170.5		170.5		170.5
81.9	78	78		78
39.4	35.8	35.8		35.8
1.4×3.9×36.2		1.4×3.9×36.2		1.8×3.9×36.2
70.2	74.3	79.4	74.6	79.4
42.1		44.3		44.3
56.9	60.8	65.4	60.6	65.4
3.5		3.5		3.5
3.9		3.9		3.9
121.3	125.2	130.1	125.4	130.1
129.9	133.9	139	134.3	139
8.9/9.6	9.0/9.7	8.9/9.6	57/94.5	8.8/9.6
59/86.6		57/94.5		53/94.5
88.6		88.6		88.6
24		22		20
2679		3466		3909
6960.4/5332.6	6784.1/5224.7	7356.8/5704.8	7533/5462.6	7797.4/5726.9
3251.1/3630	3385.5/3398.7	3502.2/3854.6	3480.2/3634.4	3722.5/4074.9
8823.8/1440.5	8887.7/1200.4	9967/1420.7	9603.5/1365.6	10837/1541.9
48/420	48/440	48/600	48/480	48/600
627.8(1541.9-1718.1)	1559.5(1482.4-1636.6)	2070.5(1982.4-2202.6)	1652(1541.9-1762.1)	2070.5(1982.4-2202.6)
2×4.5		2×4.5		2×4.5
7.5		8.6		10.5
Mosfet/AC		Mosfet/AC		Mosfet/AC
Mosfet/DC		Mosfet/DC		Mosfet/DC
Hydraulic/Mechanical		Hydraulic/Mechanical		Hydraulic/Mechanical



- CPD10S
- CPD15S
- CPD18S
- CPD20S

**Note:**

Vertical axis represents load capacity while horizontal axis represents load center. Load center is the distance measured from the front of forks to the center of load. Load capacities will be reduced based upon extended load length, forward tilt or use of attachment.



BATTERY COMPARTMENT SIZE		
MODEL	COMPARTMENT SIZE	BATTERY SPECIFICATIONS
	WD×LG×HT	SIZE
CPD10/15S-CQ	33.3×17×31	32.9×16.5×30.9
CPD10S-FQ	33.3×17×26	32.7×16.3×24.7
CPD15S-FQ	33.3×21×26	40.6×20.6×24.7
CPD18S-FQ	40.9×18.1×26	40.6×17.3×24.7
CPD18/20S-CQ	40.9×21.3×26	40.6×20.8×24.7

### 2-STAGE STANDARD MAST

Mast Model	Max. Lift Height (inch)	Capacity at 24 inch load center				Overall Lowered Height (inch)		Tilting Angle
		2000lbs	3000lbs	3500lbs	4000lbs	2000-4000lbs		
M200	78.8	2000	3000	3500	4000	62.2		5/7
M250	98.4	2000	3000	3500	4000	72		5/7
M300	118.1	2000	3000	3500	4000	81.9		5/7
M330	129.9	2000	3000	3500	4000	87.4		5/7
M350	137.8	2000	3000	3500	3900	91.7		5/7
M370	145.7	2000	2900	3500	3800	95.7		5/7
M400	157.5	2000	2800	3400	3700	103.5		3/5
M425	167.3	2000	2700	3300	3600	108.5		3/5
M450	177.2	2000	2600	3200	3500	113.4		3/5
M500	196.9	1800	2400	3000	3300	123.2		3/5
M550	216.5	1500	2000	2600	2800	135.0		3/3
M600	236.2	1000	1400	1900	2200	144.9		3/3

### 2-STAGE FULL FREE MAST

Mast Model	Max. Lift Height (inch)	Capacity at 24 inch load center				Overall Lowered Height (inch)		Free Lift (with Backrest)	Tilting Angle
		2000lbs	3000lbs	3500lbs	4000lbs	2000-4000lbs	2000-4000lbs		
ZM200	78.7	2000	3000	3500	4000	62.2	22.4	5/7	
ZM250	98.4	2000	3000	3500	4000	72	32.3	5/7	
ZM300	118.1	2000	3000	3500	4000	81.9	42.1	5/7	
ZM330	129.9	2000	3000	3500	4000	87.4	47.6	5/7	
ZM350	137.8	2000	2900	3500	3900	91.7	52	5/7	
ZM370	145.7	2000	2800	3500	3800	95.7	55.9	5/7	
ZM400	157.5	2000	2700	3400	3700	103.5	63.8	3/5	
ZM425	167.3	2000	2600	3300	2600	108.5	68.7	3/5	
ZM450	177.2	2000	2600	3200	3500	113.4	73.6	3/5	
ZM500	196.9	1800	2400	3000	3300	123.2	83.5	3/5	
ZM550	216.5	1500	2000	2500	2800	135.0	95.3	3/3	
ZM600	236.2	1000	1300	1800	2000	144.9	105.1	3/3	

NOTE: The free height of full free 2-stage mast without backrest increase +15.7inch

### 3-STAGE FULL FREE MAST

Mast Model	Max. Lift height (inch)	Capacity at 24 inch load center				Overall Lowered Height (inch)		Free Lift (with Backrest)	Tilting Angle
		2000lbs	3000lbs	3500lbs	4000lbs	2000-4000lbs	2000-4000lbs		
ZSM360	141.7	2000	2800	3500	3800	69.7	29.9	3/5	
ZSM400	157.5	2000	2600	3400	3700	75	35.2	3/5	
ZSM435	171.3	2000	2560	3300	3600	79.5	39.8	3/5	
ZSM450	177.2	2000	2500	3200	3500	81.5	41.7	3/5	
ZSM470	185.0	2000	2500	3200	3400	84.3	44.5	3/5	
ZSM480	189.0	2000	2400	3100	3300	85.4	45.7	3/5	
ZSM500	196.9	2000	2200	3000	3200	89.4	49.6	3/5	
ZSM540	212.6	1500	1900	2400	2700	94.7	54.9	3/3	
ZSM550	216.5	1400	1800	2300	2600	96.1	56.3	3/3	
ZSM600	236.2	1000	1200	1700	1900	103.1	63.4	3/3	
ZSM620	244.1	700	1000	1500	1700	106.7	66.9	3/3	
ZSM650	256.0		700	1300	1500	110.6	70.9	3/3	

NOTE: The free height of full free 3-stage mast without backrest increase  
 3500lbs-4000lbs Free lifting height without bracket: +17.2inch  
 2000lbs-3000lbs Free lifting height without bracket: +17.7inch



**THREE  
WHEEL**

**2,000-4,000 lbs**  
**G Series**  
**AC Electric Forklift**

#### STANDARD EQUIPMENT

ZF Drive unit includes Gear boxes, AC drive motors and oil-cooled disc brakes  
 ZAPI /CURTIS AC electronic drive controllers and DC lifting controller  
 High-mounted rear combination lights (back up, brake, turn signal)  
 130 inch standard 2-Stage mast  
 Combination lights (head lights & turn signals)  
 Tilt cylinder(5 fwd/7 back)  
 Rear view mirror  
 Standard classic ITA Carriage  
 3-function control valve  
 Solid pneumatic tires  
 Load backrest

#### OPTIONS

AC induction motor/AC controller hydraulic system  
 2-Stage Full free lift mast  
 3-Stage Full free lift mast  
 Side-shifter(hang-on or integral)  
 Non-marking tires

**Industrial  
Forklifts**

4105 Globeville Road  
 Denver, CO 80216  
 888-NEW-HELI(639-4354)  
 303-297-3426 Fax  
[www.IndustrialForklifts.com](http://www.IndustrialForklifts.com)

\*The specifications are based on the information available at the time of printing and may be changed without notice.